



# ARGUS

Manufacturing Intelligent Solutions

# PRESSURE ISOLATION VALVE

Designed to provide safe and economical isolation from flow lines, the Argus Pressure Isolation Valve allows for ease in calibration and maintenance of pressure safety equipment.

## FEATURES

- + One piece body construction
- + Two position lockable handle
- + Two 1/2" FNPT accessory ports
- + Stem is back seated and blowout proof
- + Bidirectional shutoff of full operating pressure

## END CONNECTIONS

2" MNPT x 2" FNPT

150 - 1500 ASME Class Integral Flange x 2" FNPT

## MAXIMUM OPERATING PRESSURE

4000 psi @ 100°F (27,580 kPa @ 38°C)<sup>1</sup>

## TEMPERATURE RANGES

**Standard:** -50°F to +250°F (-46°C to +121°C)

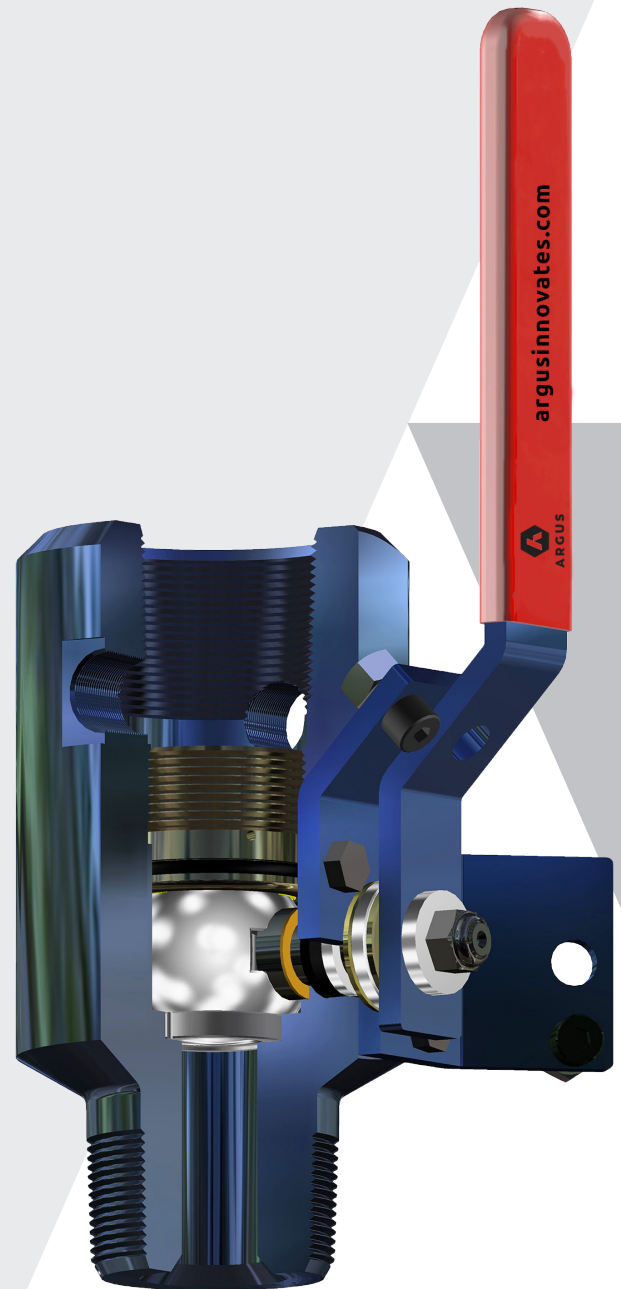
**Medium:** -20°F to +400°F (-29°C to +204°C)

### STANDARD TRIM MATERIALS<sup>2</sup>

<b>Ball</b>	ASTM A351-CF8M, c/w ENC
<b>Body</b>	ASTM A350-LF2, Class 1
<b>Bolting</b>	ASTM A193-B8M
<b>Seat</b>	Ertalyte®/Techtron®/PEEK
<b>Seals</b>	LTN and XNBR/Viton 'A'
<b>Stem</b>	A479-XM-19

<sup>1</sup> Flange connection ratings governed by ANSI class.

<sup>2</sup> Alternate trim materials available upon request.  
Design & specifications may change without notice.



Designed in accordance with ANSI/ASME B16.34 & B31.3 and NACE MR0175

1.888.434.9451  
argusinnovates.com



# ARGUS

Manufacturing Intelligent Solutions

# DOUBLE BLOCK & BLEED PRESSURE ISOLATION VALVE

## FEATURES

- + One piece body construction
- + Two position lockable handles for each ball
- + Two 1/2" FNPT accessory ports
- + One 1/2" FNPT drain port between independent valve balls
- + Independent bidirectional shutoff of full operating pressure
- + Stems are back seated and blowout proof
- + Dual stem seals for trouble free service

## END CONNECTIONS

2" MNPT x 2" FNPT

150 - 1500 ASME Class Integral Flange x 2" FNPT

## MAXIMUM OPERATING PRESSURE

5000 psi @ 100°F (34,474 kPa @ 38°C)<sup>1</sup>

## TEMPERATURE RANGES

**Standard:** -50°F to +250°F (-46°C to +121°C)

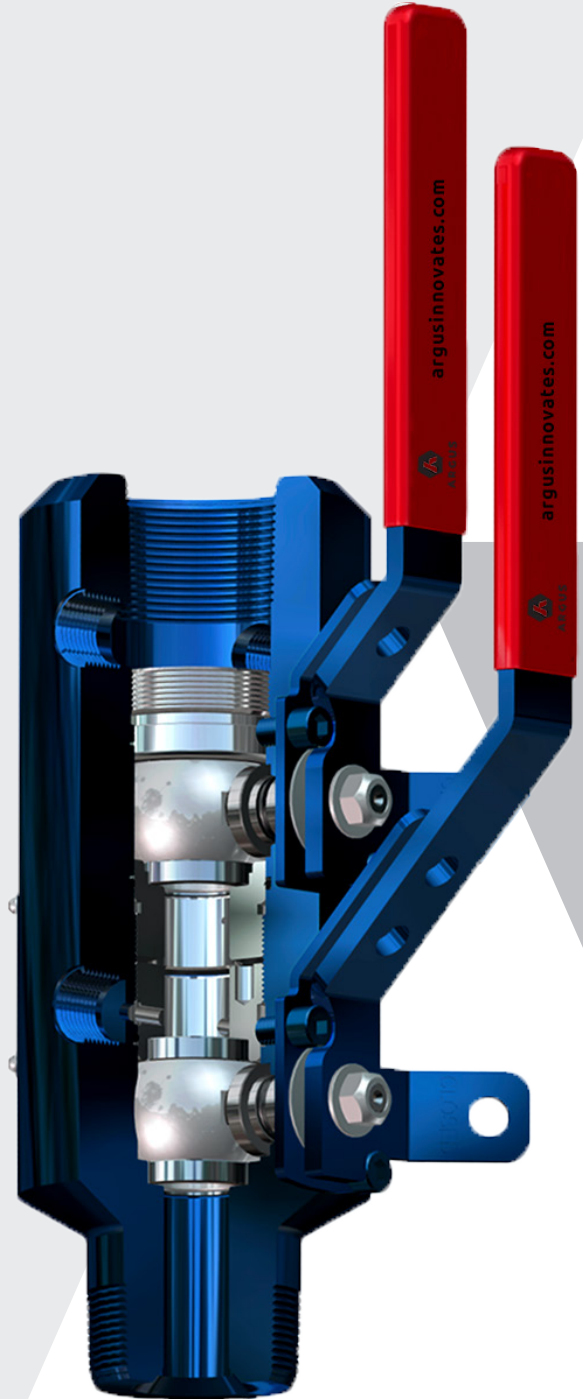
**Medium:** -20°F to +400°F (-29°C to +204°C)

### STANDARD TRIM MATERIALS<sup>2</sup>

<b>Ball</b>	ASTM A351-CF8M, c/w ENC
<b>Body</b>	ASTM A350-LF2, Class 1
<b>Bolting</b>	316 Alloy Steel
<b>Seat</b>	Ertalyte®/Techtron®/PEEK
<b>Seals</b>	LTN and XNBR/Viton 'A'
<b>Stem</b>	AISI 4140, c/w 0.001" ENP

<sup>1</sup> Flange connection ratings governed by ANSI class.

<sup>2</sup> Alternate trim materials available upon request.  
Design & specifications may change without notice.



Designed in accordance with ANSI/ASME B16.34 & B31.3 and NACE MR0175

1.888.434.9451  
[argusinnovates.com](http://argusinnovates.com)