



ARGUS

Manufacturing Intelligent Solutions

PRESSURE ISOLATION VALVE

Designed to provide safe and economical isolation from flow lines, the Argus Pressure Isolation Valve allows for ease in calibration and maintenance of pressure safety equipment.

FEATURES

- + One piece body construction
- + Two position lockable handle
- + Two 1/2" FNPT accessory ports
- + Stem is back seated and blowout proof
- + Bidirectional shutoff of full operating pressure

END CONNECTIONS

2" MNPT x 2" FNPT

150 - 1500 ASME Class Integral Flange x 2" FNPT

MAXIMUM OPERATING PRESSURE

4000 psi @ 100°F (27,580 kPa @ 38°C)¹

TEMPERATURE RANGES

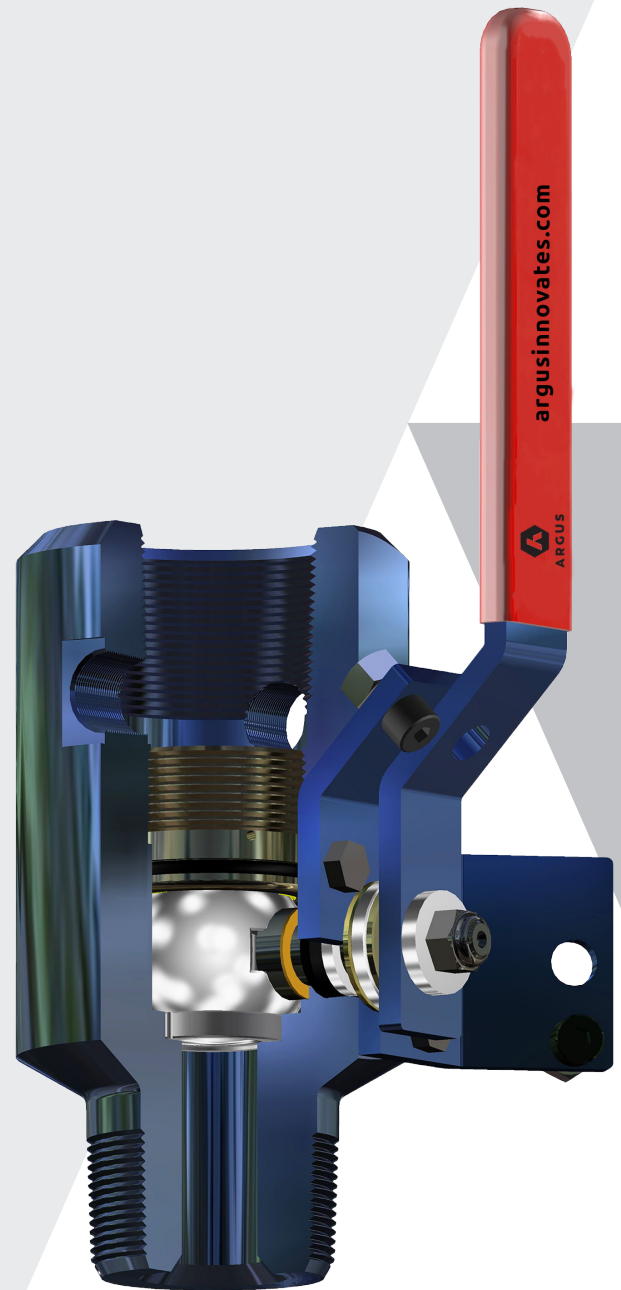
Standard: -50°F to +250°F (-46°C to +121°C)

Medium: -20°F to +400°F (-29°C to +204°C)

STANDARD TRIM MATERIALS ²	
Ball	ASTM A351-CF8M, c/w ENC
Body	ASTM A350-LF2, Class 1
Bolting	ASTM A193-B8M
Seat	Ertalyte®/Techtron®/PEEK
Seals	LTN and XNBR/Viton 'A'
Stem	17-4 PH S.S

¹ Flange connection ratings governed by ANSI class.

² Alternate trim materials available upon request.
Design & specifications may change without notice.



Designed in accordance with ANSI/ASME B16.34 & B31.3 and NACE MR0175

1.888.434.9451

argusinnovates.com



FEATURES

- + One piece body construction
- + Two position lockable handles for each ball
- + Two 1/2" FNPT accessory ports
- + One 1/2" FNPT drain port between independent valve balls
- + Independent bidirectional shutoff of full operating pressure
- + Stems are back seated and blowout proof
- + Dual stem seals for trouble free service

END CONNECTIONS

2" MNPT x 2" FNPT

150 - 1500 ASME Class Integral Flange x 2" FNPT

MAXIMUM OPERATING PRESSURE

5000 psi @ 100°F (34,474 kPa @ 38°C)¹

TEMPERATURE RANGES

Standard: -50°F to +250°F (-46°C to +121°C)

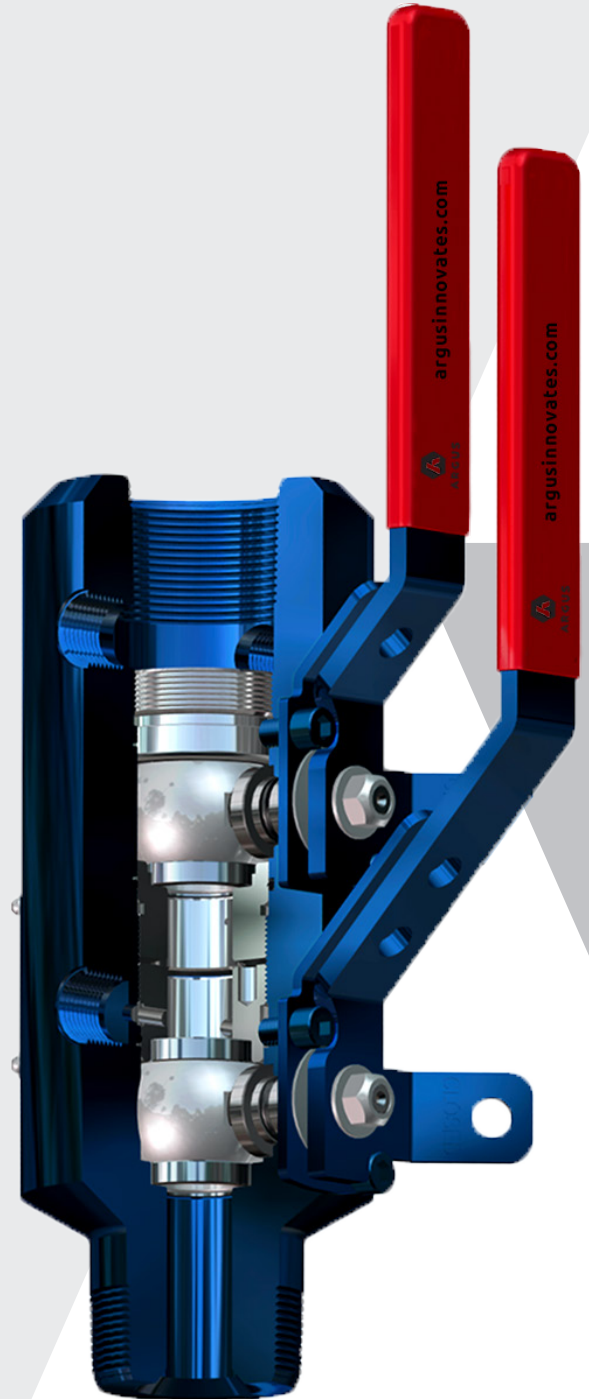
Medium: -20°F to +400°F (-29°C to +204°C)

STANDARD TRIM MATERIALS ²	
Ball	ASTM A351-CF8M, c/w ENC
Body	ASTM A350-LF2, Class 1
Bolting	316 Alloy Steel
Seat	Ertalyte®/Techtron®/PEEK
Seals	LTN and XNBR/Viton 'A'
Stem	AISI 4140, c/w 0.001" ENP

¹ Flange connection ratings governed by ANSI class.

² Alternate trim materials available upon request.

Design & specifications may change without notice.



Designed in accordance with ANSI/ASME B16.34 & B31.3 and NACE MR0175

1.888.434.9451
argusinnovates.com